

**Driver LC 10W 150–400mA flexC SC EXC**

excite series



With strain-relief

**Product description**

- \_ Constant current LED driver
- \_ Can be either used built-in or independent with clip-on strain-relief (see accessory)
- \_ Adjustable output current between 150 and 400 mA via ready2mains Programmer or I-SELECT 2 plugs
- \_ Max. output power 10 W
- \_ Up to 83 % efficiency
- \_ Nominal lifetime up to 100,000 h
- \_ 5 years guarantee

**Housing properties**

- \_ Casing: polycarbonate, white
- \_ Type of protection IP20

**Interfaces**

- \_ ready2mains (configuration via mains)
- \_ Terminal blocks: 45° push terminals

**Functions**

- \_ Adjustable output current in 1-mA-steps (ready2mains, I-SELECT 2)
- \_ Protective features (overtemperature, short-circuit, overload, no-load, input voltage range)
- \_ Intelligent Voltage Guard (overvoltage and undervoltage monitoring)
- \_ Suitable for emergency escape lighting systems acc. to EN 50172

**Benefits**

- \_ Application-oriented operating window for maximum compatibility
- \_ Best energy savings due to high efficiency
- \_ Flexible configuration via ready2mains and I-SELECT 2

**Typical applications**

- \_ For downlight, spotlight and decorative applications

**Website**

<http://www.tridonic.com/28000704>



Spotlights



Downlights



Linear



Area



Floor | Wall



Free-standing



Street



Decorative

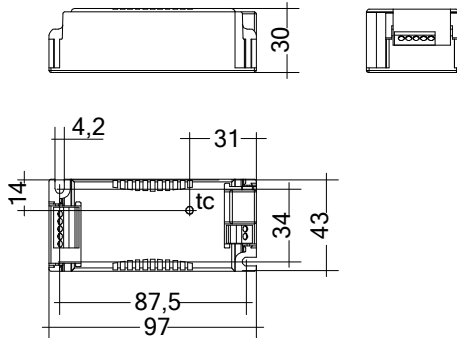


High bay

**Driver LC 10W 150–400mA flexC SC EXC**

excite series

The complete data sheet for this product is available in the Downloads section.

**Ordering data**

Type	Article number	Packaging, carton	Packaging, pallet	Weight per pc.
LC 10W 150-400mA flexC SC EXC	28000704	10 pc(s).	1,400 pc(s).	0.093 kg

**Technical data**

Rated supply voltage	220 – 240 V
AC voltage range	198 – 264 V
DC voltage range	176 – 280 V
Mains frequency	0 / 50 / 60 Hz
Overvoltage protection	320 V AC, 48 h
Typ. rated current (at 230 V, 50 Hz, full load) <sup>①</sup>	56.3 mA
Typ. current (220 V, 0 Hz, full load, 100 % dimming level) <sup>①</sup>	54.5 mA
Leakage current (at 230 V, 50 Hz, full load) <sup>①</sup>	< 250 µA
Max. input power	12 W
Typ. efficiency (at 230 V, 50 Hz, full load) <sup>①</sup>	83 %
λ (at 230 V, 50 Hz, full load)	0.92C
Typ. input current in no-load operation	12.5 mA
Typ. input power in no-load operation	0.5 W
In-rush current (peak / duration)	14 A / 280 µs
THD (at 230 V, 50 Hz, full load)	< 10 %
Starting time (at 230 V, 50 Hz, full load)	< 500 ms
Starting time (DC mode)	< 500 ms
Switchover time (AC/DC) <sup>②</sup>	< 0.2 s
Turn off time (at 230 V, 50 Hz, full load)	< 50 ms
Output current tolerance <sup>③④</sup>	± 5 %
Max. output current peak (non-repetitive)	≤ output current + 35 %
Output LF current ripple (< 120 Hz)	± 5 %
Output P_ST_LM (at full load)	≤ 1
Output SVM (at full load)	≤ 0.4
Max. output voltage (U-OUT)	60 V
Mains surge capability (between L - N)	1 kV
Mains surge capability (between L/N - PE)	2 kV
Burst / surge peaks output side against PE	< 500 V
Type of protection	IP20
Lifetime	up to 100,000 h
Guarantee	5 Year(s)
Dimensions L x W x H	97 x 43 x 30 mm

**Approval marks****Standards**

EN 55015, EN 61000-3-2, EN 61000-3-3, EN 61347-1, EN 61347-2-13, EN 62384, EN 61547, according to EN 50172, according to EN 60598-2-22

**Specific technical data**

Type	Output current <sup>⑤</sup>	Min. output voltage	Max. output voltage	Max. output power	Typ. power consumption n (at 230 V, 50 Hz, full load)	Typ. current consumption n (at 230 V, 50 Hz, full load)	tc point max.	Ambient temperature ta	I-SELECT 2 resistor value <sup>⑥</sup>
LC 10W 150-400mA flexC SC EXC	150 mA	15 V	40.0 V	6 W	7.6 W	39 mA	75 °C	-25 ... +60 °C	-
LC 10W 150-400mA flexC SC EXC	175 mA	15 V	40.0 V	7 W	8.7 W	43 mA	75 °C	-25 ... +60 °C	28.75 kΩ
LC 10W 150-400mA flexC SC EXC	200 mA	15 V	40.0 V	8 W	9.9 W	48 mA	75 °C	-25 ... +60 °C	25.00 kΩ
LC 10W 150-400mA flexC SC EXC	225 mA	15 V	40.0 V	9 W	10.8 W	52 mA	75 °C	-25 ... +60 °C	22.22 kΩ
LC 10W 150-400mA flexC SC EXC	250 mA	15 V	40.0 V	10 W	12.0 W	56 mA	75 °C	-25 ... +60 °C	20.00 kΩ
LC 10W 150-400mA flexC SC EXC	275 mA	15 V	36.3 V	10 W	12.0 W	56 mA	75 °C	-25 ... +60 °C	18.18 kΩ
LC 10W 150-400mA flexC SC EXC	300 mA	15 V	33.3 V	10 W	12.0 W	56 mA	75 °C	-25 ... +60 °C	16.67 kΩ
LC 10W 150-400mA flexC SC EXC	325 mA	15 V	30.7 V	10 W	12.0 W	56 mA	75 °C	-25 ... +60 °C	15.38 kΩ
LC 10W 150-400mA flexC SC EXC	350 mA	15 V	28.6 V	10 W	12.0 W	56 mA	75 °C	-25 ... +60 °C	14.29 kΩ
LC 10W 150-400mA flexC SC EXC	375 mA	15 V	26.7 V	10 W	12.0 W	56 mA	75 °C	-25 ... +60 °C	13.33 kΩ
LC 10W 150-400mA flexC SC EXC	400 mA	15 V	25.0 V	10 W	12.0 W	56 mA	75 °C	-25 ... +60 °C	0.00 kΩ

① Depending on the selected output current.

② Valid for immediate change of power supply type otherwise the starting time is valid.

③ Output current is mean value.

④ At output current < 200 mA the output current tolerance increases to max. ± 10 %.

⑤ The table only lists a number of possible operating points but does not cover each single point. The output current can be set within the total value range in 1-mA-steps.

⑥ Not compatible with I-SELECT (generation 1). Calculated resistor value.