

Driver LC 25W 350–1050mA flexC C EXC

excite series

**Product description**

- _ Constant current LED driver
- _ Adjustable output current between 350 and 1,050 mA via ready2mains Programmer or I-SELECT 2 plugs
- _ Max. output power 25 W
- _ Up to 86 % efficiency
- _ Nominal lifetime up to 100,000 h
- _ 5 years guarantee

Housing properties

- _ Casing: polycarbonate, white
- _ Type of protection IP20

Interfaces

- _ ready2mains (configuration via mains)
- _ Terminal blocks: 45° push terminals

Functions

- _ Adjustable output current in 1-mA-steps (ready2mains, I-SELECT 2)
- _ Protective features (overtemperature, short-circuit, overload, no-load, input voltage range)
- _ Suitable for emergency escape lighting systems acc. to EN 50172

Benefits

- _ Application-oriented operating window for maximum compatibility
- _ Best energy savings due to high efficiency
- _ Flexible configuration via ready2mains and I-SELECT 2

Typical applications

- _ For downlight, spotlight and decorative applications

Website

<http://www.tridonic.com/28000694>



Spotlights



Downlights



Linear



Area



Floor | Wall



Free-standing



Street



Decorative

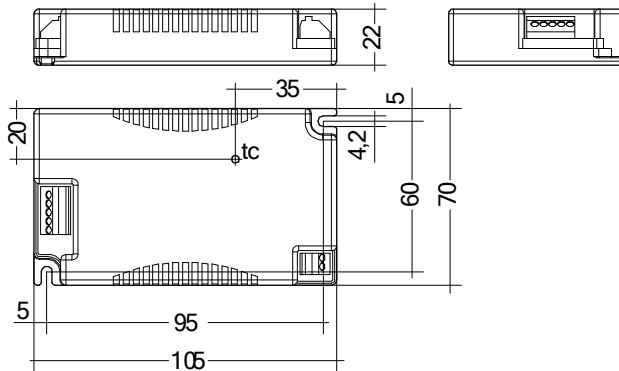


High bay

Driver LC 25W 350–1050mA flexC C EXC

excite series

The complete data sheet for this product is available in the Downloads section.



Ordering data

Type	Article number	Packaging, carton	Packaging, pallet	Weight per pc.
LC 25W 350-1050mA flexC C EXC	28000694	10 pc(s).	1,120 pc(s).	0.118 kg

Technical data

Rated supply voltage	220 – 240 V
AC voltage range	198 – 264 V
DC voltage range	176 – 280 V
Mains frequency	0 / 50 / 60 Hz
Overvoltage protection	320 V AC, 48 h
Typ. rated current (at 230 V, 50 Hz, full load) ^①	133 mA
Typ. current (220 V, 0 Hz, full load, 57 % dimming level) ^①	85 mA
Leakage current (at 230 V, 50 Hz, full load) ^①	< 250 μ A
Max. input power	29.8 W
Typ. efficiency (at 230 V, 50 Hz, full load) ^①	86 %
λ (at 230 V, 50 Hz, full load)	0.96
Typ. input current in no-load operation	17 mA
Typ. input power in no-load operation	0.5 W
In-rush current (peak / duration)	16 A / 229 μ s
THD (at 230 V, 50 Hz, full load)	< 10 %
Starting time (at 230 V, 50 Hz, full load)	< 500 ms
Starting time (DC mode)	< 500 ms
Switchover time (AC/DC) ^②	< 0.2 s
Turn off time (at 230 V, 50 Hz, full load)	< 50 ms
Output current tolerance ^③	\pm 5 %
Max. output current peak (non-repetitive)	\leq output current + 35 %
Output LF current ripple (< 120 Hz)	\pm 5 %
Max. output voltage (U-OUT)	60 V
Mains surge capability (between L - N)	1 kV
Mains surge capability (between L/N - PE)	2 kV
Burst / surge peaks output side against PE	< 500 V
Type of protection	IP20
Lifetime	up to 100,000 h
Guarantee	5 Year(s)
Dimensions L x W x H	105 x 70 x 22 mm

Approval marks



Standards

EN 55015, EN 61000-3-2, EN 61000-3-3, EN 61347-1, EN 61347-2-13, EN 62384, EN 61547, according to EN 50172, according to EN 60598-2-22

Specific technical data

Type	Output current ^①	Min. output voltage	Max. output voltage	Max. output power	Typ. power consumption (at 230 V, 50 Hz, full load)	Typ. current consumption (at 230 V, 50 Hz, full load)	tc point max.	Ambient temperature ta	I-SELECT 2 resistor value
LC 25W 350-1050mA flexC C EXC	350 mA	20 V	50.0 V	17.5 W	21.5 W	100 mA	80 °C	-25 ... +55 °C	-
LC 25W 350-1050mA flexC C EXC	400 mA	20 V	50.0 V	20.0 W	24.9 W	110 mA	80 °C	-25 ... +55 °C	12.50 kΩ
LC 25W 350-1050mA flexC C EXC	450 mA	20 V	50.0 V	22.5 W	26.5 W	120 mA	80 °C	-25 ... +55 °C	11.11 kΩ
LC 25W 350-1050mA flexC C EXC	500 mA	20 V	50.0 V	25.0 W	29.3 W	132 mA	80 °C	-25 ... +55 °C	10.00 kΩ
LC 25W 350-1050mA flexC C EXC	550 mA	20 V	45.5 V	25.0 W	29.1 W	131 mA	80 °C	-25 ... +55 °C	9.09 kΩ
LC 25W 350-1050mA flexC C EXC	600 mA	20 V	41.7 V	25.0 W	29.1 W	132 mA	80 °C	-25 ... +55 °C	8.33 kΩ
LC 25W 350-1050mA flexC C EXC	650 mA	20 V	38.5 V	25.0 W	28.9 W	131 mA	80 °C	-25 ... +55 °C	7.69 kΩ
LC 25W 350-1050mA flexC C EXC	700 mA	20 V	35.7 V	25.0 W	29.0 W	131 mA	80 °C	-25 ... +55 °C	7.14 kΩ
LC 25W 350-1050mA flexC C EXC	750 mA	20 V	33.3 V	25.0 W	28.9 W	130 mA	80 °C	-25 ... +50 °C	6.67 kΩ
LC 25W 350-1050mA flexC C EXC	800 mA	20 V	31.3 V	25.0 W	29.3 W	132 mA	80 °C	-25 ... +50 °C	6.25 kΩ
LC 25W 350-1050mA flexC C EXC	850 mA	20 V	29.4 V	25.0 W	29.1 W	132 mA	80 °C	-25 ... +50 °C	5.88 kΩ
LC 25W 350-1050mA flexC C EXC	900 mA	20 V	27.8 V	25.0 W	29.4 W	133 mA	80 °C	-25 ... +50 °C	5.66 kΩ
LC 25W 350-1050mA flexC C EXC	950 mA	20 V	26.3 V	25.0 W	29.4 W	132 mA	80 °C	-25 ... +50 °C	5.26 kΩ
LC 25W 350-1050mA flexC C EXC	1,000 mA	20 V	25.0 V	25.0 W	29.5 W	133 mA	80 °C	-25 ... +50 °C	5.00 kΩ
LC 25W 350-1050mA flexC C EXC	1,050 mA	20 V	23.8 V	25.0 W	29.4 W	132 mA	80 °C	-25 ... +50 °C	0.00 kΩ

① Depending on the selected output current.

② Valid for immediate change of power supply type otherwise the starting time is valid.

③ Output current is mean value.

④ The table only lists a number of possible operating points but does not cover each single point. The output current can be set within the total value range in 1-mA-steps.

⑤ Not compatible with I-SELECT (generation 1). Calculated resistor value.